

NEW



Hyperspot

# Q2

## KIT INCLUDES:

- Mounting Bracket
- Mounting Hardware
- Vibration Isolator
- Plug & Play Wiring Harness with Deutsch connector and switch



Wide



Driving



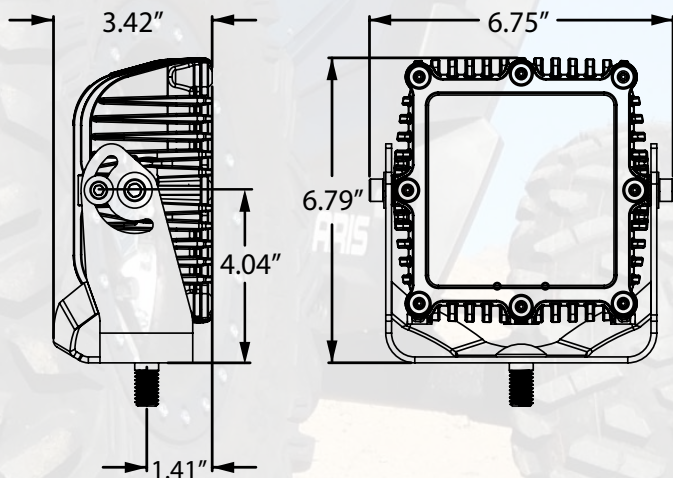
Diffused



Hyperspot/Driving



Driving/Down Diffused



## PART NUMBERS

- |       |                            |   |
|-------|----------------------------|---|
| 24411 | Q - Flood                  | ● |
| 24421 | Q - Spot                   | ● |
| 24451 | Q - Diffused               | ● |
| 24461 | Q - Spot/Down Difused      | ● |
| 24471 | Q - Flood/Down Diffused    | ● |
| 54411 | Q2 - Wide                  | ● |
| 54431 | Q2 - Driving               | ● |
| 54471 | Q2 - Hyperspot             | ● |
| 54451 | Q2 - Diffused              | ● |
| 54481 | Q2 - Driving/Hyperspot     | ● |
| 54461 | Q2 - Driving/Down Diffused | ● |

SEE PAGE 87 FOR MARINE PART NUMBERS.